

# TX13.180 - 12.140 - 14.120 - 15.150 - 17.130 - 956 - 961

- LIST OF SPARE PARTS  
 - LISTE DE PIECES DETACHEES  
 - ERSATZTEILLISTE  
 - LISTA DE REPUESTOS  
 - NOMENCLATURA RICAMBI

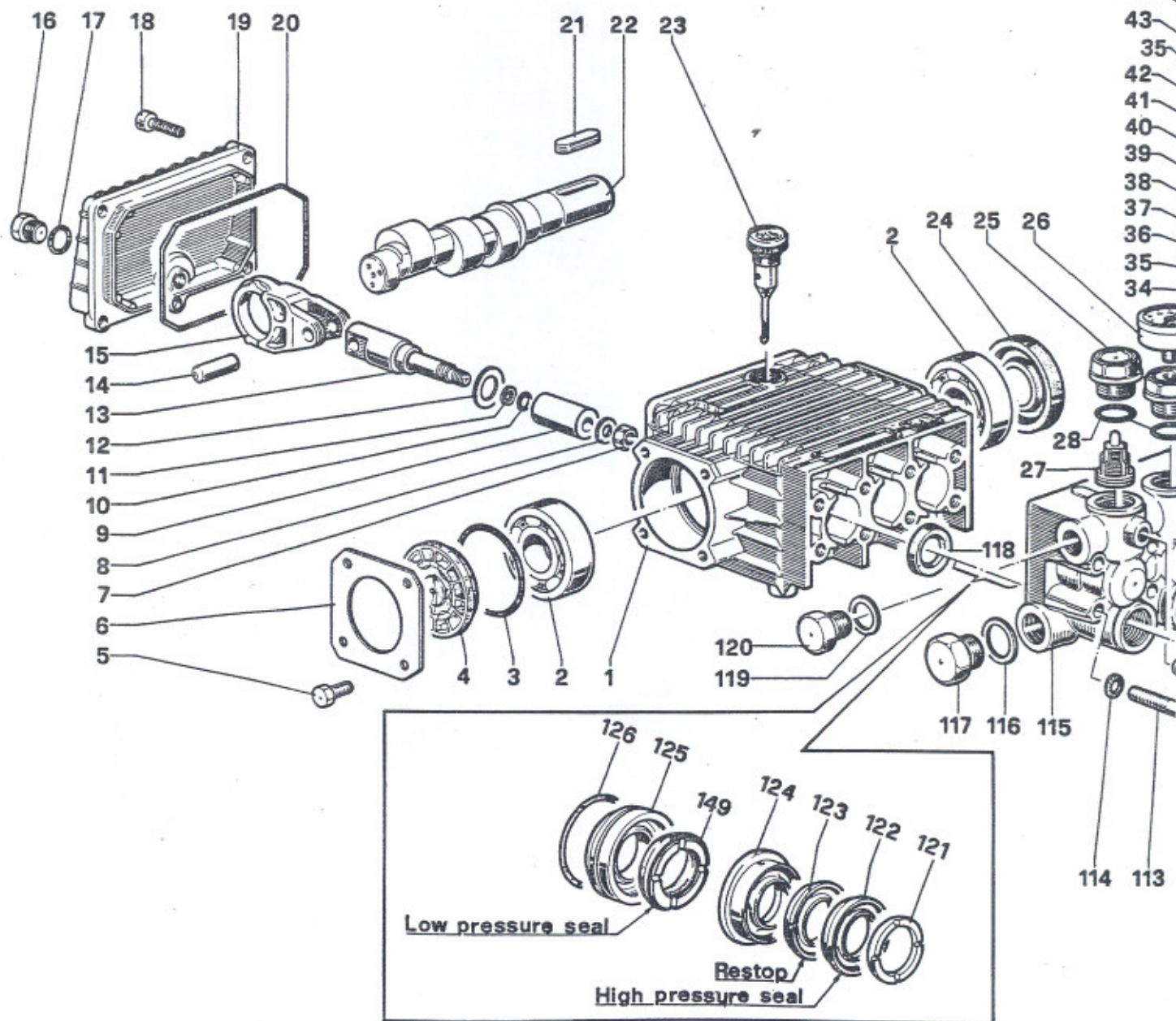
- ONDERDELENLIJST  
 - RESERVEDELSLISTA  
 - RESERVEDELSLISTE  
 - VARAOSALUETTELO  
 - RESERVEDELSLISTE

POS.	CODE CODICE	N. PCS.	POS.	CODE CODICE	N. PCS.	POS.	CODE CODICE	N. PCS.
1	44.0100.22	1	47	36.3228.70	1	94	36.3216.51	1
2	91.8328.00	2	48	36.3233.70	1	95	36.2563.70	1
3	90.4097.00	1	49	94.7345.00	1	96	36.3217.51	1
4	44.2118.01	1	50	94.7436.00	1	97	90.3570.00	3
5	99.1807.00	4	51	36.3169.70	1	98	36.3220.51	1
6	50.1500.74	1	52	36.3185.70	1	99	36.3219.51	1
7	92.2216.00	3	53	90.3598.00	1	100	90.3831.00	1
8	44.2115.70	3	54	99.3054.00	1	101	36.3218.51	1
9	52.0400.09 - Ø15 44.0401.09 - Ø18	3	55	92.2218.00	1	102	90.3841.00	7
10	90.3572.00	5	56	92.2935.00 optional	1	103	36.3182.51	1
11	90.5022.00	3	57	36.3186.70 optional	1	104	92.8925.00	1
12	96.7350.00	3	59	10.0501.22	1	105	90.3828.00	1
13	44.0500.66	3	60	43.3430.02 - 14-120 - 12-140 43.3450.02 - 956 43.3460.02	1	106	36.2569.51	1
14	97.7340.00	3	61	43.3231.02 - 14-120 - 12-140 43.3268.02 - 961 43.3261.02	1	107	92.9828.00	1
15	44.0300.22	3	62	90.4028.00	1	108	36.2025.51	6
16	98.2041.00	1	63	43.2128.51	1	109	94.7376.00	6
17	90.3585.00	2	64	43.2127.51	1	110	36.2001.76	6
18	99.1837.00	5	65	10.7268.01	1	111	36.2003.66	6
19	44.1600.22	1	66	93.5790.00	1	112	98.1966.00	1
20	90.3920.00	2	67	93.5179.00-380÷415V 93.5182.00-220÷240V	1	113	99.3175.00	8
21	91.4892.00	1	68	43.2120.51	1	114	96.7014.00	8
22	44.0200.35 - 13-180 - 961 44.0203.35 - 15-150 12-140 - 956 44.0206.35 - 14-120 - 17-130	1	69	43.2119.47	1	115	44.1201.41 Ø 15 44.1205.41 Ø 18	1
23	98.2103.00	1	70	43.2113.51	1	116	96.7514.00	1
24	90.1641.00	1	71	99.1720.00	1	117	98.2176.00	1
25	98.2226.00	5	72	99.0744.00	4	118	90.1614.00	3
26	94.5824.00	1	73	99.1540.00	4	119	96.7380.00	1
27	36.7115.01	6	74	99.1515.00	5	120	98.2100.00	1
28	90.3847.00	6	75	96.6913.00	1	121	51.1000.51 Ø 15 44.1001.51 Ø 18	3
29	98.2227.00	1	76	91.8372.00	1	122	90.2620.00 Ø 15 90.2682.00 Ø 18	3
30	90.5065.00	1	77	90.0850.00	1	123	90.2622.00 Ø 15 90.2683.00 Ø 18	3
31	90.3822.00	2	79	42.0300.51	1	124	52.2166.70 Ø 15 44.2161.70 Ø 18	3
32	36.3164.66	1	80	43.0400.51	1	125	44.0800.70 Ø 15 44.0801.70 Ø 18	3
33	99.1509.00	1	81	90.0655.00	1	126	90.3612.00	3
34	36.3190.66	1	82	99.1658.00	4	128	43.2118.51	1
35	90.3575.00	2	83	90.3863.00	1	149	90.2617.00	3
36	90.5144.00	1	84	98.2173.00	1		90.2684.00	3
37	90.3600.00	1	85	99.1867.00	4			
38	36.3229.70	1	86	96.6938.00	8			
39	36.3231.51	1	87	99.1897.00	4			
40	94.7485.00	1	88	10.0076.66	1			
41	36.3230.70	1	89	90.3832.00	1			
42	90.5025.00	1	90	10.0147.70-M22	1			
43	36.3234.70	1	91	90.3582.00	1			
44	90.3820.00	1	92	94.8217.00	2			
45	90.5052.00	1	93	97.4782.00	2			
46	90.3857.00	1						

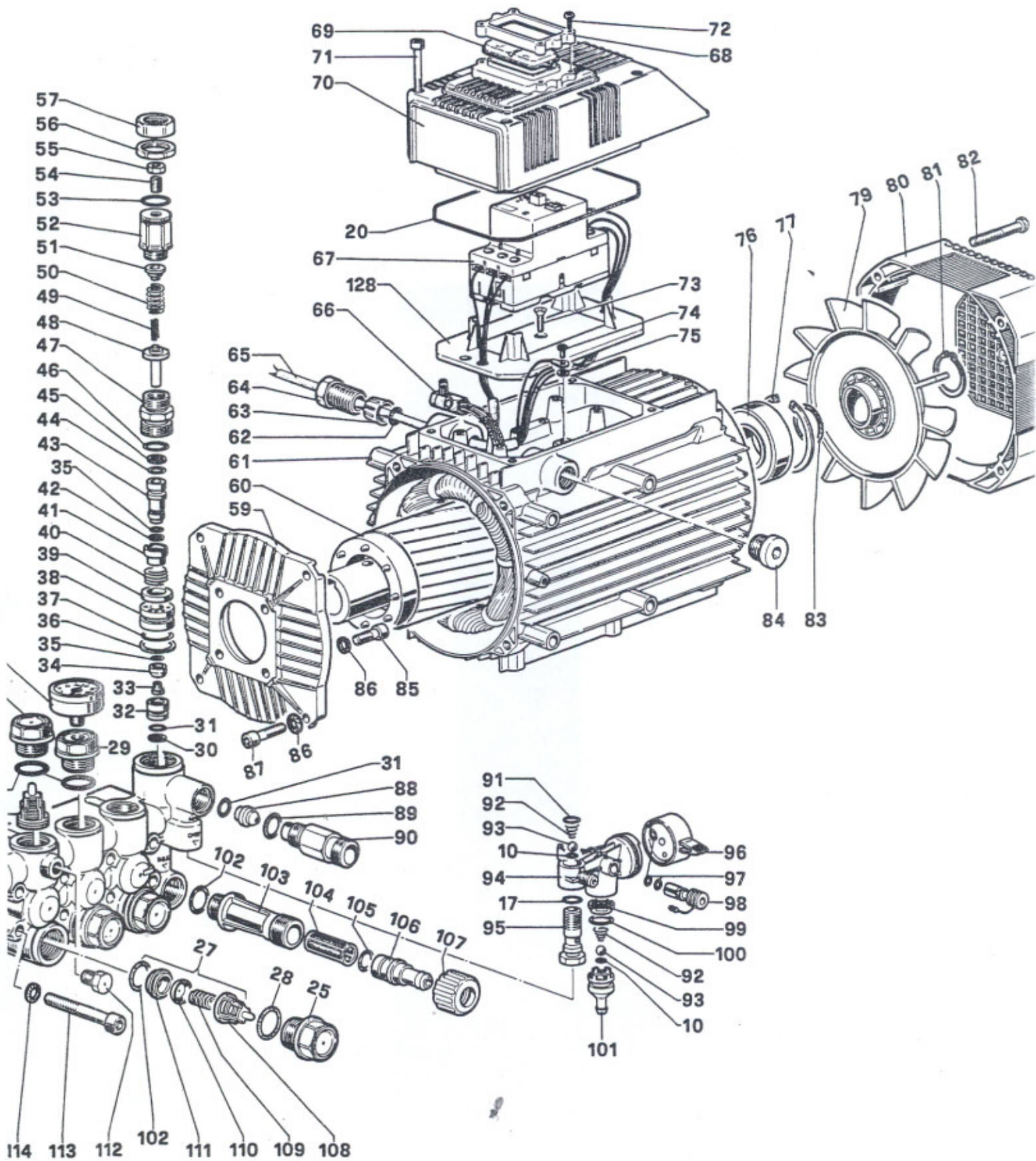
PISTON - PISTONE Ø 15					
MODEL: TX13•180 - TX15•150 - TX17•130 - TX961					
KIT N.	KIT 88	KIT 89	KIT 90	KIT 125	KIT 130
Positions Included	122 123 149	124	121	125-126	121-122 123-124 125-126 149
Posizioni Include					
N. pcs.	3	3	6	3	1

KIT N.	KIT 23	KIT 123	KIT 124	KIT 137	KIT 138
Positions Included	118	102-108 109-110 111 (27)	25-28	30-31-32 33-34-35 36-37-38 39-40-41 42-43-44 45	10-17-91 92-93-97 98-99 100-101
Posizioni Include					
N. pcs.	3	6	6	1	1

PISTON - PISTONE Ø 18					
MODEL: TX14•120 - TX956 - TX12•140					
KIT N.	KIT 126	KIT 127	KIT 128	KIT 129	KIT 131
Positions Included	125-126	123-122 149	124	121	121-122 123-124 125-126 149
Posizioni Include					
N. pcs.	3	3	3	6	1



- 57
- 56
- 55
- 54
- 53
- 52
- 51
- 50
- 49
- 48
- 47
- 46
- 45
- 44
- 43
- 35
- 42
- 41
- 40
- 39
- 38
- 37
- 36
- 35
- 34
- 28
- 27
- 118
- 120
- 119
- 117
- 116
- 115
- 114
- 113



# TROLLEY - CARRELLO

## T - TX

- LIST OF SPARE PARTS
- LISTE DE PIECES DETACHEES
- ERSATZTEILLISTE
- LISTA DE REPUESTOS
- NOMENCLATURA RICAMBI
- ONDERDELENLIJST
- RESERVEDELSLISTA
- RESERVEDELSLISTE
- VARAOSALUETTELO
- RESERVEDELSLISTE

POS.	CODE CODICE	N. PCS.
1	36.3222.51 - T	1
	36.3221.51 - TX	1
2	23.0084.51 - T	1
	23.0083.51 - TX	1
3	23.0087.51	1
4	99.1312.00	2
5	23.0095.51	1
6	90.3889.00	1
7	92.2040.00	8
8	96.6962.00	6
9	23.0089.88	1
10	23.0088.88	1
11	23.0093.51	1
12	23.0102.51	1
13	96.6925.00	2
14	99.1943.00	4
15	23.0086.51	1
18	96.9327.00	2
19	96.7521.00	2
20	91.7129.00	2
21	99.1929.00	4
22	52.2122.51	2
23	23.0091.51 - T	1
	23.0090.51 - TX	1
24	90.3818.00	1
25	98.2041.00	1
26	96.7072.00	8
27	23.0099.70	4
28	23.0098.47	4
29	96.7016.00	4
30	99.3099.00 - T	4
	99.3129.00 - TX	4
31	23.0092.02	1
33	23.0101.47	1
34	10.0529.98	1
35	23.0127.02	1

